

Easy Screening in a Bright Room

Effective for Red Reflex Test in Health Checkups for Infants



NEITZ LED RETINOSCOPIES

RX3LED / RX3SPLED

Product Specifications

Specifications RX3LED

Product Name	LED Streak Retinoscope RX3LED
Generic Name	Retinoscope
Streak Variations	Divergent streak, parallel streak, convergent streak
Streak Rotation	360° continuous rotation
Batteries	C-size alkaline batteries (2 pcs.)
Dimensions (exclusing protrusions) and weight	34 mm x 34 mm x 269 mm Approximately 340 g (including batteries)
Included accessories	Presbyopia lens (+2D), Head Attachment
Optional accessories	Presbyopiapens(+1D,+3D) Fixation Card Set RX (Two cards and one card holder)

Specifications RX3SPLED

Product Nam	LED Spot Retinoscope RX3SPLED
Generic Nam	Retinoscope
Batteries	C-size alkaline batteries (2 pcs.)
Dimensions (exclusing protrusions) and weight	34 mm x 34 mm x 266 mm Approximately 300 g (including batteries)
Included accessory	Head Attachment
Optional accessory	Fixation Card Set RX (Two cards and one card holder)

Classification (Common to RX3LED and RX3SPLED)

Degree of protection against electric shock	Internally powered ME equipment
Applied parts	No applied parts
Degree of protection against harmful ingress of water or particulate matter	IPX0
Method of sterilization	Do not sterilize.
Suitability for use in an oxygen rich environment	Do not use in oxygen rich environments.
Mode of operation	Continuous operation

Applied Standards (Common to RX3LED and RX3SPLED)

Electric safety	IEC 60601-1:2020
Electromagnetic disturbances	IEC 60601-1-2:2020
Usability engineering	IEC 62366-1:2020
Biological evaluation	ISO 10993-1:2018
Ophthalmic Instruments	ISO 15004-1:2020 ISO 15004-2:2007
Retinoscopes	ISO 12865:2006

Environmental Conditions (Common to RX3LED and RX3SPLED)

	Use	Storage	Transport
Temperature	+10 °C to +35 °C (50 °F to 90 °F)	-10 °C to +55 °C (14 °F to 131 °F)	-10 °C to +55 °C (14 °F to 131 °F)
Relative Humidity (no condensation)	30 % to 90 %	10 % to 95 %	10 % to 95 %
Atmospheric Pressure	800 hPa to 1060 hPa	500 hPa to 1060 hPa	500 hPa to 1060 hPa

The Features of LED Retinoscopes

500lx Brighter Illumination Field

The streak light model is about five times, the spot light model is eight times brighter than our halogen bulb models.
Easily visible screening even in a bright room.

SMOOTH Smooth Light Control

Smooth and stepless light control from the minimum to the maximum.
Reduces the burden of the patient caused by photophobia.
Provides clear light and shadow.

BOOST Boost Mode for More Brightness

Switchable between normal mode and much brighter boost mode.

Ra:90 High Color-rendering LED

The color reproduction is equal to the halogen bulb retinoscopes.
Ra : More than 90, R9 : More than 80
Color temperature : 2700K
No need of light bulb replacement. Maintenance-free.
LED lifetime 40,000 hours

Basic Functions



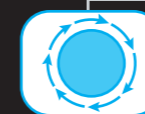
Pursuit of Visibility

The anti-reflection filter provides wide and clear field of view. This reduces the sense of fatigue due to a long-time use.



Pursuit of Usability

The streak can be easily set at the best position. The rotation and the width change of the streak are separately controlled. Rotating the streak does not affect the streak width. The lightweight retinoscope head rotates freely.



Endless Rotation of Streak

The streak rotates 360 degrees. You can rotate it from any position and is useful for measurement of the axis of myopia. Furthermore, the retinoscope is equipped with the Head Attachment Mount for eyeglasses wearers and the feature to attach a presbyopia lens easily.



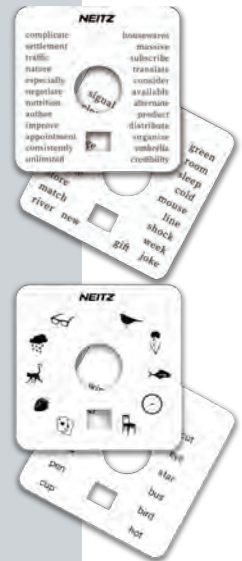
Sharp Streak Light

The precision cut slit realizes the sharp and clear streak light.



Fixation Card Set

The Fixation Card Set is available for use in dynamic retinoscopy. Consists of two fixation cards and a card holder. (Optional)



Two types of fixation card (Fixation Card Set RX)
* Optional



Card Holder RX (Fixation Card Set RX)
* Optional



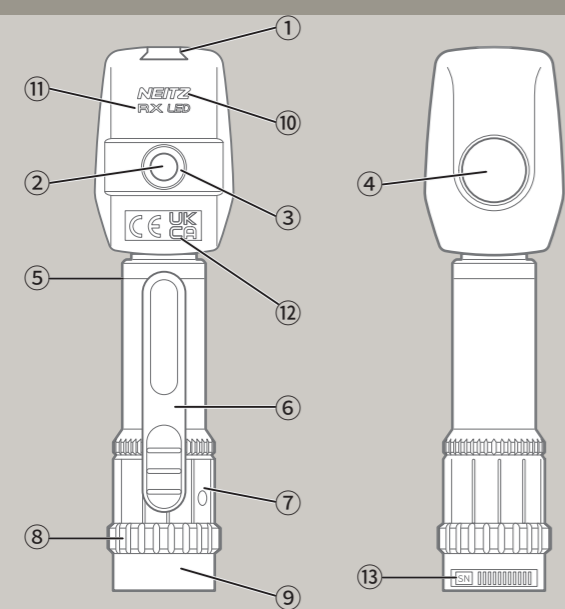
Card Holder RX-SP (Fixation Card Set RX)
* Optional



Delivered with Carrying case

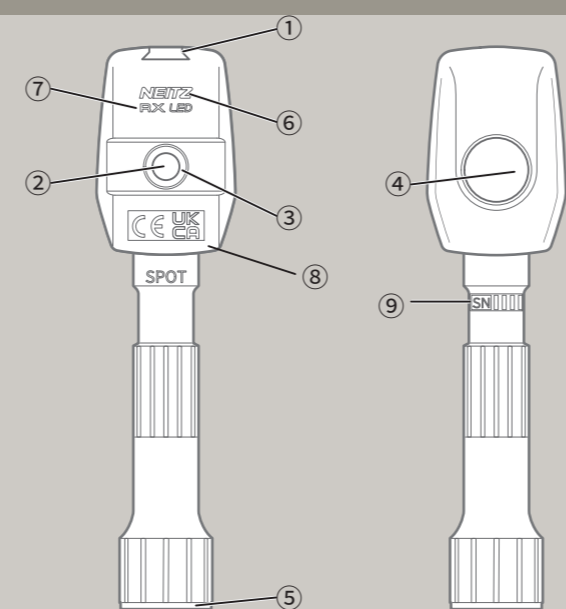


RX3LED



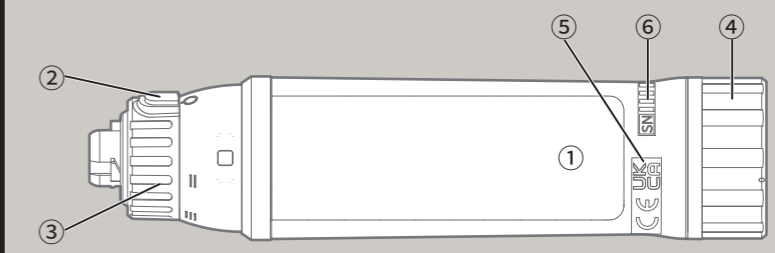
- ① Head Attachment Mount
- ② Viewing Window
- ③ Viewing Window Rim
- ④ Illumination Opening
- ⑤ Reference Line
- ⑥ Streak Adjustment Lever
- ⑦ Head Rotation Ring
- ⑧ Streak Rotation Ring
- ⑨ Head Joint
- ⑩ Manufacturer's Logo
- ⑪ Model Logo
- ⑫ CE Mark, UKCA Mark
- ⑬ Serial Number

RX3SPLED



- ① Head Attachment Mount
- ② Viewing Window
- ③ Viewing Window Rim
- ④ Illumination Opening
- ⑤ Head Joint
- ⑥ Manufacturer's Logo
- ⑦ Model Logo
- ⑧ CE Mark, UKCA Mark
- ⑨ Serial Number

C-size Battery Handle (common to RX3LED and RX3SPLED)



- ① C-size Battery Handle
- ② Switch Button
- ③ Switch Ring
- ④ Bottom Cap
- ⑤ CE Mark, UKCA Mark
- ⑥ Serial Number